



## Four-wheel electric forklift

# E16 – E20 P

Load capacity 1.6 t – 2.0 t | Series 1251

PB

ION

H2

### Flexible all-rounder

- Electric counterbalance forklift truck up to 2 tonnes capacity
- Compact and agile for maximum efficiency in goods handling
- 7 variants with different chassis and battery options
- Four-wheel version (P) with innovative Linde combi steer axle
- Flexible energy options: Lead-acid, Li-ION or fuel cell

# TECHNICAL DATA (according to VDI 2198)

Characteristics	1.1	Manufacturer (abbreviation)		Linde MH	Linde MH	Linde MH	Linde MH
	1.2	<b>Manufacturer's type designation</b>		<b>E16 P</b>	<b>E18 P</b>	<b>E20 P</b>	<b>E20 PL</b>
	1.2a	Series		1251-01	1251-01	1251-01	1251-01
	1.3	Drive		Battery	Battery	Battery	Battery
	1.4	Operation		Seated	Seated	Seated	Seated
	1.5	Rated capacity/rated load	Q (t)	1.6	1.8	2.0	2.0
	1.6	Load centre distance	c (mm)	500	500	500	500
	1.8	Load distance, centre of drive axle to fork	x (mm)	369.9	374.9	378.9	378.9
	1.9	Wheelbase	y (mm)	1459 <sup>1)</sup>	1459 <sup>1)</sup>	1495 <sup>1)</sup>	1547 <sup>1)</sup>
Weight	2.1	Service weight	kg	3090 <sup>2)</sup>	3308 <sup>2)</sup>	3475 <sup>2)</sup>	3435 <sup>2)</sup>
	2.2	Axle loading, laden front/rear	kg	4099/591	4476/632	4821/654	4805/630
	2.3	Axle loading, unladen front/rear	kg	1545/1545 <sup>2)</sup>	1597/1711 <sup>2)</sup>	1645/1830 <sup>2)</sup>	1669/1766 <sup>2)</sup>
Tyres/chassis	3.1	Tyres: solid rubber, superelastic, pneumatic, polyurethane		SE	SE	SE	SE
	3.2	Tyre size, front		180/70-8 (18 × 7-8)	200/50-10	200/50-10	200/50-10
	3.3	Tyre size, rear		150/75-8 (16 × 6-8)	150/75-8 (16 × 6-8)	150/75-8 (16 × 6-8)	150/75-8 (16 × 6-8)
	3.5	Wheels, number front/rear (x = driven wheels)		2 x/2	2 x/2	2 x/2	2 x/2
	3.6	Tread, front	b10 (mm)	930	966	966	966
	3.7	Tread, rear	b11 (mm)	837	837	837	837
Dimensions	4.1	Mast/fork carriage tilt, forward/backward	$\alpha/\beta$ (°)	5.0/7.0	5.0/7.0	5.0/7.0	5.0/7.0
	4.2	Mast height, lowered	h1 (mm)	2141	2142	2141	2141
	4.3	Free lift	h2 (mm)	150	150	150	150
	4.4	Lift	h3 (mm)	3050	3050	3050	3050
	4.5	Mast height, extended	h4 (mm)	3652	3653	3652	3652
	4.7	Height of overhead guard (cabin)	h6 (mm)	2050	2049	2048	2048
	4.8	Seat height relating to SIP/stand height	h7 (mm)	1048	1047	1047	1047
	4.12	Coupling height	h10 (mm)	548	547	546	547
	4.19	Overall length	l1 (mm)	2963	2968	3007	3060
	4.20	Length to fork face	l2 (mm)	2063	2068	2107	2160
	4.21	Overall width	b1/b2 (mm)	1086/-	1162/-	1162/-	1162/-
	4.22	Fork dimensions DIN ISO 2331	s/e/l (mm)	40/80/900	45/100/900	45/100/900	45/100/900
	4.23	Fork carriage to ISO 2328, class/type A, B		2A	2A	2A	2A
	4.24	Fork carriage width	b3 (mm)	980	980	980	980
	4.31	Ground clearance, laden, below mast	m1 (mm)	91	94	93	93
	4.32	Ground clearance, centre of wheelbase	m2 (mm)	99	97	96	97
	4.34.1	Aisle width for pallets 1000 × 1200 crossways	Ast (mm)	3389 <sup>3)</sup>	3393 <sup>3)</sup>	3432 <sup>3)</sup>	3485 <sup>3)</sup>
	4.34.2	Aisle width for pallets 800 × 1200 lengthways	Ast (mm)	3513 <sup>3)</sup>	3518 <sup>3)</sup>	3557 <sup>3)</sup>	3610 <sup>3)</sup>
	4.35	Turning radius	Wa (mm)	1693	1693	1728	1781
4.36	Inside turning radius	b13 (mm)	0	0	0	0	
Performance	5.1	Travel speed, laden/unladen	km/h	20/20	20/20	20/20	20/20
	5.1.1	Travel speed, laden/unladen, backward	km/h	20/20	20/20	20/20	20/20
	5.2	Lifting speed, laden/unladen	m/s	0.54/0.61	0.51/0.61	0.48/0.61	0.48/0.61
	5.3	Lowering speed, laden/unladen	m/s	0.58/0.5	0.58/0.5	0.58/0.5	0.58/0.6
	5.5	Drawbar pull, laden/unladen	N	2500/2500	2500/2500	2500/2500	2500/2500
	5.6	Max. drawbar pull, laden/unladen	N	10100/10100	10100/10100	10100/10100	10100/10100
	5.7	Gradeability, laden/unladen	%	11.1/18.9	11.1/18.9	11.1/18.9	11.1/18.9
	5.8	Max. gradeability, laden/unladen	%	17.8/29.9	17.8/29.9	17.8/29.9	17.8/29.9
	5.9	Acceleration time, laden/unladen	s	6.1/5.2	6.1/5.2	6.1/5.2	6.1/5.2
	5.10	Service brake		mech./elect.	mech./elect.	mech./elect.	mech./elect.
Electric-engine	6.1	Drive motor rating S2 60 min	kW	2 x 5.25	2 x 5.25	2 x 5.25	2 x 5.25
	6.2	Lift motor rating at S3 15%	kW	10	10	10	10
	6.3	Battery according to DIN 43531/35/36 A, B, C, no		43 531 A	43 531 A	43 531 A	43 531 A
	6.4	Battery voltage/nominal capacity K5	(V)/(Ah) or kWh	48/575/625	48/575/625	48/575/625	48/690/750
	6.4.a	Battery energy content	kWh	24	24	24	28.8
	6.5	Battery weight (±5%)	kg	856	856	856	1013
	6.6	Energy consumption according to DIN EN 16796	kWh/h	4.2	4.4	4.7	4.7
	6.6.1	CO2 equivalent compliant with DIN EN 16796	kg/h	2.2	2.4	2.5	2.5
6.7	Turnover output according to VDI 2198	t/h	122	136	149	150	
6.8	Turnover efficiency according to VDI 2198	t/kWh	21.0	22.3	23.5	23.6	
Drive/lifting mechanism	8.1	Type of drive unit		Microprocessor control	Microprocessor control	Microprocessor control	Microprocessor control
Additional data	10.1	Operating pressure for attachments	bar	170	170	170	170
	10.2	Oil flow for attachments	l/min	32	32	32	32
	10.7	Sound pressure level LpAz (at the operator's seat)	dB(A)	63	63	63	63

1) With vertical mast

2) including battery, lines 6.4/6.5.

3) including a = 200 mm safety distance

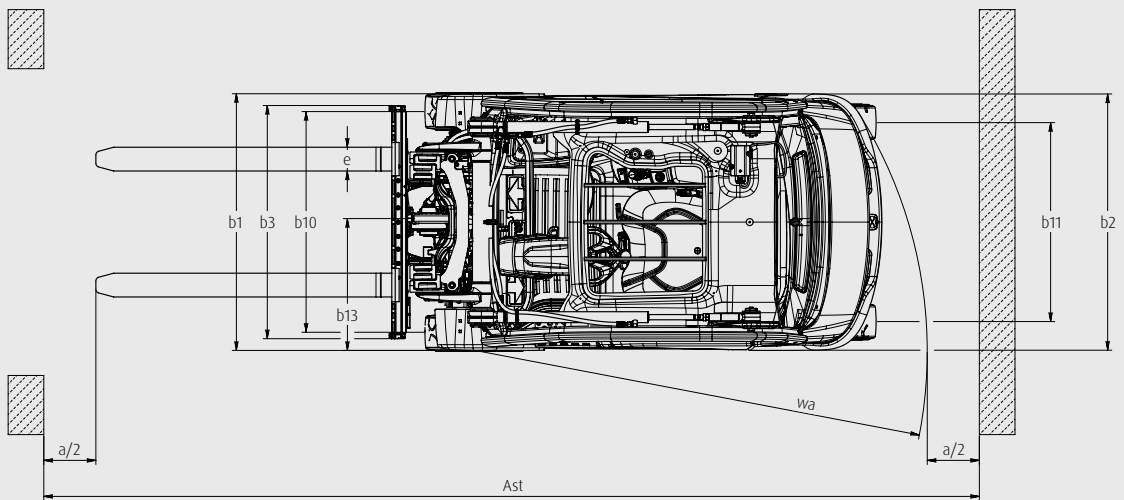
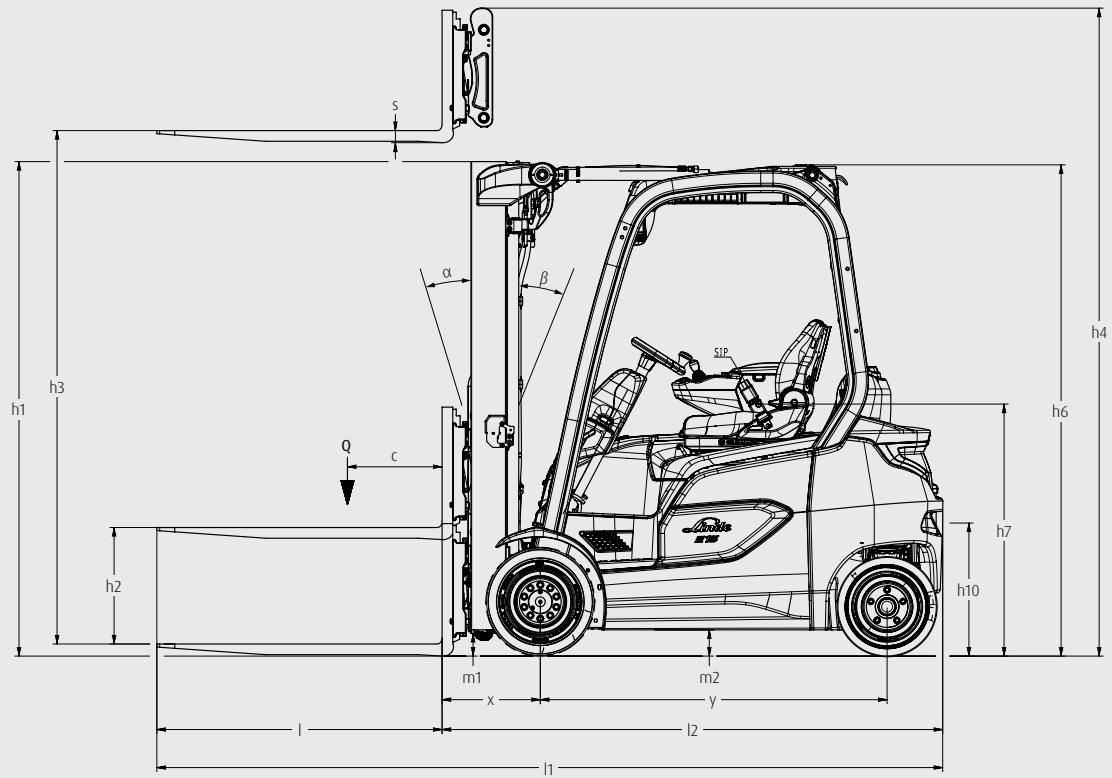
# TECHNICAL DATA (according to VDI 2198)

Characteristics	1.1	Manufacturer (abbreviation)		Linde MH	Linde MH	Linde MH
	1.2	<b>Manufacturer's type designation</b>		<b>E16 PH</b>	<b>E18 PH</b>	<b>E20 PH</b>
	1.2a	Series		1251-01	1251-01	1251-01
	1.3	Drive		Battery	Battery	Battery
	1.4	Operation		Seated	Seated	Seated
	1.5	Rated capacity/rated load	Q (t)	1.6	1.8	2.0
	1.6	Load centre distance	c (mm)	500	500	500
	1.8	Load distance, centre of drive axle to fork	x (mm)	369.9	374.9	378.9
	1.9	Wheelbase	y (mm)	1481 <sup>1)</sup>	1481 <sup>1)</sup>	1481 <sup>1)</sup>
Weight	2.1	Service weight	kg	3413 <sup>2)</sup>	3455 <sup>2)</sup>	3597 <sup>2)</sup>
	2.2	Axle loading, laden front/rear	kg	4212/801	4586/669	4922/675
	2.3	Axle loading, unladen front/rear	kg	1672/1741 <sup>3)</sup>	1723/1732 <sup>2)</sup>	1735/1862 <sup>2)</sup>
Tyres/chassis	3.1	Tyres: solid rubber, superelastic, pneumatic, polyurethane		SE	SE	SE
	3.2	Tyre size, front		180/70-8 (18 × 7-8)	200/50-10	200/50-10
	3.3	Tyre size, rear		150/75-8 (16 × 6-8)	150/75-8 (16 × 6-8)	150/75-8 (16 × 6-8)
	3.5	Wheels, number front/rear (x = driven wheels)		2 x/2	2 x/2	2 x/2
	3.6	Tread, front	b10 (mm)	930	966	966
	3.7	Tread, rear	b11 (mm)	837	837	837
Dimensions	4.1	Mast/fork carriage tilt, forward/backward	$\alpha/\beta$ (°)	5.0/7.0	5.0/7.0	5.0/7.0
	4.2	Mast height, lowered	h1 (mm)	2290	2292	2290
	4.3	Free lift	h2 (mm)	150	150	150
	4.4	Lift	h3 (mm)	3350	3350	3350
	4.5	Mast height, extended	h4 (mm)	3951	3953	3951
	4.7	Height of overhead guard (cabin)	h6 (mm)	2206	2206	2206
	4.8	Seat height relating to SIP/stand height	h7 (mm)	1204	1204	1204
	4.12	Coupling height	h10 (mm)	612	612	611
	4.19	Overall length	l1 (mm)	2982	2987	2991
	4.20	Length to fork face	l2 (mm)	2082	2087	2091
	4.21	Overall width	b1/b2 (mm)	1086/-	1162/-	1162/-
	4.22	Fork dimensions DIN ISO 2331	s/e/l (mm)	40/80/900	45/100/900	45/100/900
	4.23	Fork carriage to ISO 2328, class/type A, B		2A	2A	2A
	4.24	Fork carriage width	b3 (mm)	980	980	980
	4.31	Ground clearance, laden, below mast	m1 (mm)	90	94	92
	4.32	Ground clearance, centre of wheelbase	m2 (mm)	98	97	96
	4.34.1	Aisle width for pallets 1000 × 1200 crossways	Ast (mm)	3408 <sup>3)</sup>	3412 <sup>3)</sup>	3416 <sup>3)</sup>
	4.34.2	Aisle width for pallets 800 × 1200 lengthways	Ast (mm)	3532 <sup>3)</sup>	3537 <sup>3)</sup>	3541 <sup>3)</sup>
	4.35	Turning radius	Wa (mm)	1712	1712	1712
	4.36	Inside turning radius	b13 (mm)	0	0	0
Performance	5.1	Travel speed, laden/unladen	km/h	20/20	20/20	20/20
	5.1.1	Travel speed, laden/unladen, backward	km/h	20/20	20/20	20/20
	5.2	Lifting speed, laden/unladen	m/s	0.54/0.61	0.51/0.61	0.48/0.61
	5.3	Lowering speed, laden/unladen	m/s	0.58/0.6	0.58/0.5	0.58/0.5
	5.5	Drawbar pull, laden/unladen	N	2500/2500	2500/2500	2500/2500
	5.6	Max. drawbar pull, laden/unladen	N	10100/10100	10100/10100	10100/10100
	5.7	Gradeability, laden/unladen	%	11.1/18.9	11.1/18.9	11.1/18.9
	5.8	Max. gradeability, laden/unladen	%	17.8/29.9	17.8/29.9	17.8/29.9
	5.9	Acceleration time, laden/unladen	s	6.1/5.2	6.1/5.2	6.1/5.2
	5.10	Service brake		mech./elect.	mech./elect.	mech./elect.
Electric-engine	6.1	Drive motor rating S2 60 min	kW	2 x 5.25	2 x 5.25	2 x 5.25
	6.2	Lift motor rating at S3 15%	kW	10	10	10
	6.3	Battery according to DIN 43531/35/36 A, B, C, no		43 531 A	43 531 A	43 531 A
	6.4	Battery voltage/nominal capacity K5	(V)/(Ah) or kWh	48/700/775	48/700/775	48/700/775
	6.4.a	Battery energy content	kWh	29.76	29.76	29.76
	6.5	Battery weight (±5%)	kg	1118	1118	1118
	6.6	Energy consumption according to DIN EN 16796	kWh/h	4.7	4.5	4.7
	6.6.1	CO2 equivalent compliant with DIN EN 16796	kg/h	2.6	2.4	2.6
6.7	Turnover output according to VDI 2198	t/h	120	135	149	
6.8	Turnover efficiency according to VDI 2198	t/kWh	20.6	22.1	23.5	
Drive/lifting mechanism	8.1	Type of drive unit		Microprocessor control	Microprocessor control	Microprocessor control
Additional data	10.1	Operating pressure for attachments	bar	170	170	170
	10.2	Oil flow for attachments	l/min	32	32	32
	10.7	Sound pressure level LpAz (at the operator's seat)	dB(A)	63	63	63

1) With vertical mast

2) including battery, lines 6.4/6.5.

3) including a = 200 mm safety distance



# MAST TABLES

## STANDARD MAST (in mm)

Series	1521								
Lift	h3: 2800	h3: 2950	h3: 3150	h3: 3250	h3: 3350	h3: 3850	h3: 4250	h3: 4650	h3: 5650
<b>Height measurements</b>	h1: 2025 h2: 150 h4: 3405	h1: 2100 h2: 150 h4: 3555	h1: 2200 h2: 150 h4: 3755	h1: 2250 h2: 150 h4: 3855	h1: 2300 h2: 150 h4: 3955	h1: 2550 h2: 150 h4: 4455	h1: 2750 h2: 150 h4: 4855	h1: 2950 h2: 150 h4: 5255	h1: 3450 h2: 150 h4: 6255
<b>Manufacturer's type designation</b>									
E16 P	○	○	○	○	○	○	○	○	○
E16 PH	–	–	–	○	○	○	○	○	○
E18 P	○	○	○	○	○	○	○	○	○
E18 PH	–	–	–	○	○	○	○	○	○
E20 P	○	○	○	○	○	○	○	○	○
E20 PL	○	○	○	○	○	○	○	○	○
E20 PH	–	–	–	○	○	○	○	○	○

## DUPLEX MAST (in mm)

Series	1521							
Lift	h3: 2795	h3: 2945	h3: 3145	h3: 3245	h3: 3345	h3: 3545	h3: 3845	
<b>Height measurements</b>	h1: 1945 h2: 1343 h4: 3400	h1: 2020 h2: 1418 h4: 3550	h1: 2120 h2: 1518 h4: 3750	h1: 2170 h2: 1568 h4: 3850	h1: 2220 h2: 1618 h4: 3950	h1: 2320 h2: 1718 h4: 4150	h1: 2470 h2: 1868 h4: 4450	
<b>Manufacturer's type designation</b>								
E16 P	○	○	○	○	○	○	○	
E16 PH	–	–	–	○	○	○	○	
E18 P	○	○	○	○	○	○	○	
E18 PH	–	–	–	○	○	○	○	
E20 P	○	○	○	○	○	○	○	
E20 PL	○	○	○	○	○	○	○	
E20 PH	○	○	○	○	○	○	○	

## TRIPLEX MAST (in mm)

Series	1521								
Lift	h3: 4100	h3: 4325	h3: 4625	h3: 4775	h3: 4925	h3: 5475	h3: 5625	h3: 6075	h3: 6225
<b>Height measurements</b>	h1: 1953 h2: 1343 h4: 4705	h1: 2028 h2: 1418 h4: 4930	h1: 2128 h2: 1518 h4: 5230	h1: 2178 h2: 1568 h4: 5380	h1: 2228 h2: 1618 h4: 5530	h1: 2478 h2: 1868 h4: 6080	h1: 2528 h2: 1918 h4: 6230	h1: 2678 h2: 2068 h4: 6680	h1: 2728 h2: 2118 h4: 6830
<b>Manufacturer's type designation</b>									
E16 P	○	○	○	○	○	○	○	○	○
E16 PH	–	–	–	○	○	○	○	○	○
E18 P	○	○	○	○	○	○	○	○	○
E18 PH	–	–	–	○	○	○	○	○	○
E20 P	○	○	○	○	○	○	○	○	○
E20 PL	○	○	○	○	○	○	○	○	○
E20 PH	–	–	–	○	○	○	○	○	○

○ Optional equipment

– Not available

**h1:** Mast height, lowered

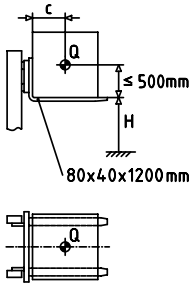
**h2:** Free lift

**h3:** Lift

**h4:** Mast height, extended

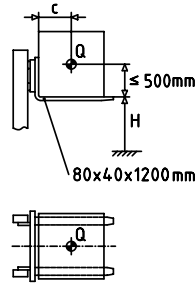
# LOAD CAPACITY

## E16 P\*



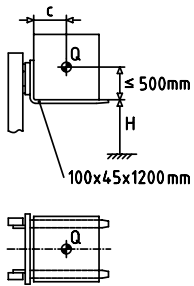
H (mm)	Q (kg)				
6500	1050	940	850	780	
6300	1150	1030	930	850	
6100	1250	1120	1010	920	
6000	1300	1160	1050	960	
5900	1350	1210	1090	1000	
5800	1400	1250	1130	1040	
5700	1450	1300	1170	1070	
5600	1500	1340	1210	1110	
5500	1520	1360	1230	1130	
5400	1550	1390	1260	1150	
5300	1570	1410	1280	1170	
≤ 5200	1600	1430	1300	1180	
c (mm)	400-500	600	700	800	

## E16 PH\*



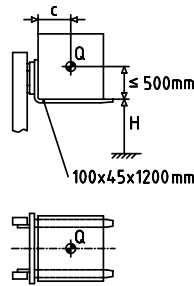
H (mm)	Q (kg)				
6500	1050	940	850	780	
6300	1150	1030	930	850	
6100	1250	1120	1010	920	
6000	1300	1160	1050	960	
5900	1350	1210	1090	1000	
5800	1400	1250	1130	1040	
5700	1450	1300	1170	1070	
5600	1500	1340	1210	1110	
5500	1520	1360	1230	1130	
5400	1550	1390	1260	1150	
5300	1570	1410	1280	1170	
≤ 5200	1600	1430	1300	1180	
c (mm)	400-500	600	700	800	

## E18 P



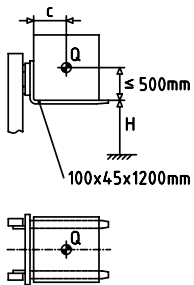
H (mm)	Q (kg)				
6200	1440	1290	1170	1070	
6100	1480	1330	1200	1100	
6000	1530	1370	1240	1130	
5900	1570	1410	1280	1170	
5800	1620	1450	1310	1200	
5700	1660	1490	1350	1230	
5600	1710	1530	1390	1270	
5500	1750	1570	1420	1300	
≤ 5400	1800	1610	1460	1340	
c (mm)	400-500	600	700	800	

## E18 PH



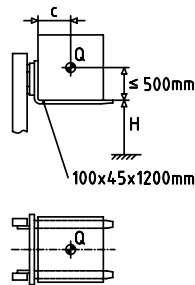
H (mm)	Q (kg)				
6200	1440	1290	1170	1070	
6100	1480	1330	1200	1100	
6000	1530	1370	1240	1130	
5900	1570	1410	1280	1170	
5800	1620	1450	1310	1200	
5700	1660	1490	1350	1230	
5600	1710	1530	1390	1270	
5500	1750	1570	1420	1300	
≤ 5400	1800	1610	1460	1340	
c (mm)	400-500	600	700	800	

## E20 P



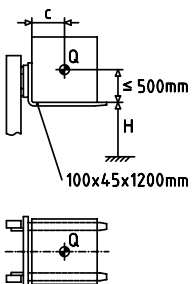
H (mm)	Q (kg)				
6200	1510	1350	1230	1120	
6000	1610	1440	1310	1200	
5900	1660	1490	1350	1240	
5800	1710	1540	1390	1270	
5700	1760	1580	1430	1310	
5600	1810	1630	1480	1350	
5500	1870	1670	1520	1390	
5400	1890	1700	1540	1410	
5300	1920	1720	1560	1430	
5200	1940	1740	1580	1450	
5100	1970	1770	1600	1470	
≤ 5000	2000	1790	1620	1490	
c (mm)	400-500	600	700	800	

## E20 PH



H (mm)	Q (kg)				
6200	1510	1350	1230	1120	
6000	1610	1440	1310	1200	
5900	1660	1490	1350	1240	
5800	1710	1540	1390	1270	
5700	1760	1580	1430	1310	
5600	1810	1630	1480	1350	
5500	1870	1670	1520	1390	
5400	1890	1700	1540	1410	
5300	1920	1720	1560	1430	
5200	1940	1740	1580	1450	
5100	1970	1770	1600	1470	
≤ 5000	2000	1790	1620	1490	
c (mm)	400-500	600	700	800	

## E20 PL\*



H (mm)	Q (kg)				
6200	1510	1350	1230	1120	
6000	1610	1440	1310	1200	
5900	1660	1490	1350	1240	
5800	1710	1540	1390	1270	
5700	1760	1580	1430	1310	
5600	1810	1630	1480	1350	
5500	1870	1670	1520	1390	
5400	1890	1700	1540	1410	
5300	1920	1720	1560	1430	
5200	1940	1740	1580	1450	
5100	1970	1770	1600	1470	
≤ 5000	2000	1790	1620	1490	
c (mm)	400-500	600	700	800	

\* P = Four-wheel configuration

H = High version - for a high seating position for the driver

L = Long version - space for a large battery

H = Lifting height, c = Load centre distance, Q = Load capacity  
Load capacity for standard mast and fork carriage

# STANDARD AND OPTIONAL EQUIPMENT

Manufacturer's type designation/equipment		E16 – E20 P
Safety	Linde Curve Assist – automatic reduction of travel speed around corners	●
	Electric seat belt monitoring – visual and audible feedback	●
	Linde Load Assist – increased safety at high lift heights	●
	BlueSpot and TruckSpot – visual drive path warning for pedestrians and other operators	○
	Load weight indicator	○
	Linde Safety Pilot – load-dependent driving and lifting speed regulation plus additional functions	○
	Linde Safety Guard – visual and audible proximity warning between trucks or between trucks and pedestrians	○
	Speed restriction options (via switch, indoor/outdoor, load-dependent)	○
	Electrically monitored restraint system (optional monitoring: Door and/or belt)	○
	Linde LED stripes – optimum illumination of travel direction (switched or automatic) for increased safety	○
	Linde Vertilight – extensive illumination of racking, load and forks	○
	Reverse Assist Radar – rear collision avoidance	○
	Reverse Assist Camera – personnel detection camera system avoids accidents	○
Digitalisation	Online data transmission	○
	WiFi data transmission	○
	Linde Fleet Management (local and cloud-based fleet management with different functional modules)	○
	Linde Pre-Op Check – customizable daily check protocol for operational readiness, integrated in the truck display	○
	Truck Call app – coordination of transport jobs	○
Operation/ load handling	Innovative decoupling concept decreases whole body vibrations to reduce operator fatigue	●
	Single pedal control – smooth acceleration and change of travel direction via switch	○
	Linde Load Control – central control lever fully integrated into the armrest for precise control of all hydraulic functions	●
	Multifunction lever – effortless control and increased ease of use	○
	Individual lever control of hydraulic functions	○
Workplace	Innovative decoupling concept with ring bearings for low human vibrations	●
	Ergonomic and safe on/off access for operator	●
	Adjustable steering column tilt	●
	Comfort overhead guard for optimum headroom	●
	Operator's seat – fast, easy mechanical weight adjustment	●
	Different operator's seat options: seat heating, air suspension, active seat cushion ventilation, fore/aft suspension	○
	Operator's seat – swivelling seat	○
	3.5" LED colour display, including steering and tilt angle display	●
	7" LED multifunction colour display integrates additional functions such as cameras, Linde Safety Pilot and Pre-Op Check	○
	Armoured glass roof window	○
	Light metal doors with wide-opening sliding window	○
	Illuminated DIN A4 clip board	○
	Electric heating – 4 heat settings and 7 air nozzles for targeted adjustment as required	○
	Fully into the contour integrated air conditioning – use of existing air nozzles from the heating system for efficient cooling	○
Radio incl. DAB+, MP3 player and Bluetooth hands-free kit	○	
Mast	High mounted tilt cylinders with maintenance-free bearings increase capacity at height	●
	Optimum visibility due to nested mast profiles on standard, duplex and triplex masts	●
	Electronically damped tilt stop	●
	Load damping for increased driving comfort and reduced wear and tear	○
Attachments/ forks	Reinforced Linde forks – easy to adjust and offering long service life	○
	Integral roller-guided side shift carriage retains full truck capacity	○
	Integral fork positioning carriage 'VIEW' for optimum residual load capacity and exceptional visibility	○
Axles and tyres	Linde combi steer axle – excellent manoeuvrability in restricted spaces	●
	Super-elastic tyres (SE)	●
	Closed shoulder CS 20 tyres	○
	Anti-static or non-marking tyres	○
	Front dirt deflector	○
Drive and brake system	48 volt twin motor front-wheel drive with traction control and ramp assist	●
	Operating settings – economy, efficiency and performance – for individual performance adjustment	●
	Automatic parking brake	●
Energy	Li-ION-ready	●
	Easy lateral battery change and hinged battery cover for easy routine checking of lead-acid batteries	●
	Simple, convenient charging thanks to rear charging option	○
	Charge anywhere with fully integrated, high frequency (HF) on-board charger	○

● Standard equipment      ○ Optional equipment

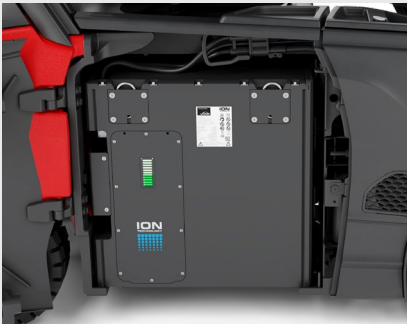
# CHARACTERISTICS



Workplace

## Ergonomics

- Operator's workstation isolated from road shocks and vibrations by elastomer ring bearings to reduce vibration and fatigue for the operator
- Intuitive operation thanks to twin pedal control and Linde Load Control
- Spacious cabin with 3.5 inch display showing the most important truck information
- Wide range of ergonomic comfort seats for optimum seating position
- Fully integrated air conditioning and heating systems for optimum working comfort
- Linde Steer Control available with mini wheel or joystick instead of steering wheel



Battery door

## Handling

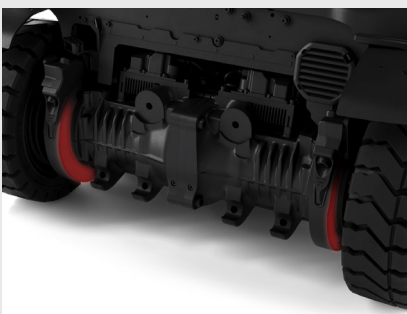
- Powerful 48 volt technology for continuous use in multi-shift operations
- Use of existing batteries on site and flexible switching between lead-acid and Li-ION batteries (plug-and-play)
- Easy battery change due to side access and open chassis design
- Connectivity for seamless integration into digital processes
- Optional on-board charger for opportunity charging
- Hinged battery cover for easy daily inspection of lead-acid batteries



Panoramic view

## Safety

- Nested mast profiles, narrow A-pillars and low front bulkhead for optimum all-round visibility
- Low vehicle centre of gravity ensures optimum resistance to tipping enhancing safety
- Overhead tilt cylinders for precise load handling at high lift heights
- Linde Curve Assist for automatic travel speed reduction around corners
- Linde Load Assist for increased safety at high lift heights
- Automatic parking brake holds the truck securely on ramps and gradients
- Numerous optional assistance systems available



Drive axle

## Service

- Robust, low-wear design for low service costs
- Maintenance-free, fully enclosed drive components
- Long maintenance intervals e.g hydraulic oil and filter change only every 6000 hours
- Quick maintenance thanks to easily accessible components
- Wireless data transmission optimises service processes

Presented by:

Subject to modification in the interest of progress. Illustrations and technical specifications could include options and are not binding for actual constructions. All dimensions subject to usual tolerances.



**Linde Material Handling GmbH**  
Carl-von-Linde-Platz | 63743 Aschaffenburg | Germany  
Phone + 49 6021 99 0 | Fax + 49 6021 99 1570  
www.linde-mh.com | info@linde-mh.com

DS\_E16-E20\_P\_1251\_en\_A\_1024